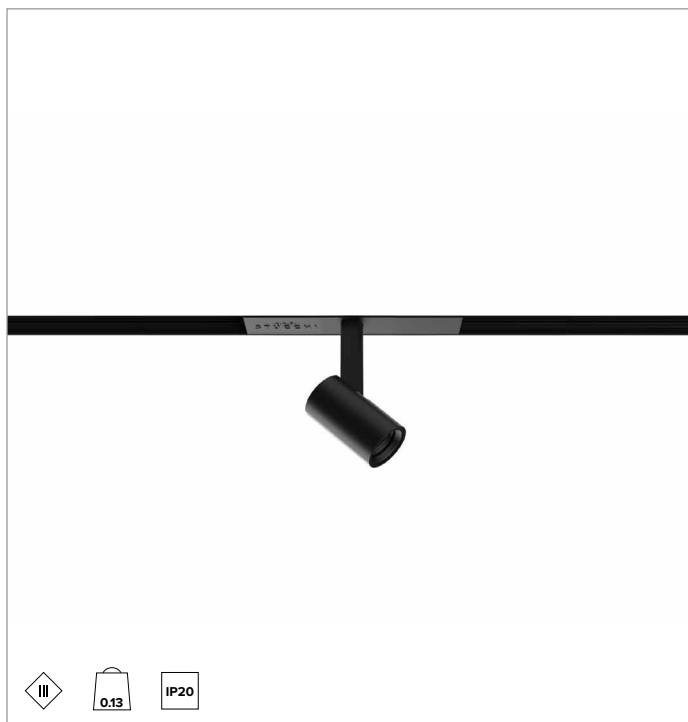
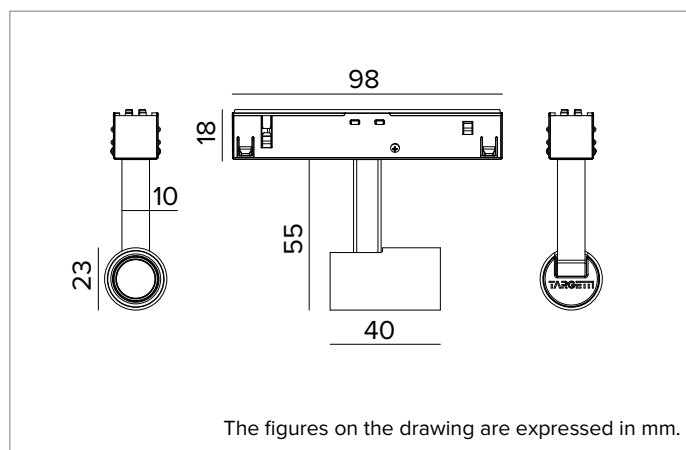


## 1T6693EL | FORTYEIGHT Label 2

### Low voltage adjustable LED professional projector



	2700K	H(m)	D(m)	Emax(lx)		
	Ra90		13°			
Fixture Power	4W	1	0.23	1348		
Source Flux	171lm	2	0.45	337		
Fixture Flux	144lm	3	0.68	150		
Efficacy	38lm/W	4	0.90	84		
TS1157	Imax=7873cd/klm	Imax	1348cd	5	1.13	54



#### SOURCE

High efficiency Ra90 LED Emitter. 3500K on request.

**Energy efficiency class:** G

**Nominal power:** 2,6W

**Nominal flux:** 171lm

**Colour rendering index:** 90

**Rf:** 87.6

**Rg:** 103.9

**CCT nominal:** 2700K

**SDCM:** 1.5

**Lifetime (L80/B10):** >50000h tq +25°C

#### ILLUMINOTECHNICAL CHARACTERISTICS

SP - transparent PMMA lens and holographic filter with different openings depending on the version with a black silicone cut off ring.

**Optic:** LENS

**Beam angles:** SP

**Optical efficiency:** 84%

**Fixture flux:** 144lm

**Luminous efficacy:** 38lm/W

**Photobiological safety:** Compliant with RG1 low risk group

#### MECHANICAL CHARACTERISTICS

Painted aluminium body. Optical frame adjustable from 0° to 90° on the vertical plane, 360° on the horizontal plane.

**Colour and finish:** Plaster white

**Dimensions:** D=23mm

**Weight:** 0.13Kg

**Version:** LONG ARM ON-OFF

**Degree of protection:** IP20

#### ELECTRICAL CHARACTERISTICS

Electronic ON-OFF power supply for track.

**Fixture Power:** 4W

**Power supply:** 48Vdc

**Insulation Class:** CLASS 3

**Class F:** YES

**Ambient temperature:** 0°C / +25°C

#### INSTALLATION

Long bracket version for insertion into the trimless deep track version. Quick coupling system for mounting the product on the track.

#### NOTES

Not polarized fixture. The arm is and the adapter are supplied in the same colour as the body of the projector. 110-277Vac version available on request.

#### WARRANTY

5 years.

#### WARNING

Luminaire designed for disposal/recycling at end-of-life. Replaceable (LED only) light source by a professional. Replaceable control gear by a professional.

*Due to the technological evolution of the electronic components, the data provided may be updated, and as such, confirmation must be requested during the order process.*

*Luminous flux and power supply have +/-10% tolerances with respect to the indicated value. tq +25°C (CIE 121).*

*We reserve the right to make technical changes.*

Targetti Sankey S.r.l.  
Via Pratese, 164  
50145 Firenze - Italy  
Tel: +39 055 37911  
targetti.com  
targetti@targetti.com

CCIAA Firenze  
Share Capital:  
€ 500.000,00  
VAT N. (IT):  
01537660480  
R.E.A: FI-275656

**TARGETTI**

## 1T6693EL | FORTYEIGHT Label 2

### Low voltage adjustable LED professional projector

#### Accessories

##### Filter



Ø mm	Code
17	<b>1T6939</b>

Holographic PMMA filter with blade of light effect.  
Allows the beam to be made oval; combined with spot and flood optics the effect appears more pronounced.

*Due to the technological evolution of the electronic components, the data provided may be updated, and as such, confirmation must be requested during the order process.*

*Luminous flux and power supply have +/-10% tolerances with respect to the indicated value. tq +25°C (CIE 121).*

*We reserve the right to make technical changes.*

Targetti Sankey S.r.l.  
Via Pratese, 164  
50145 Firenze - Italy  
Tel: +39 055 37911  
targetti.com  
targetti@targetti.com

CCIAA Firenze  
Share Capital:  
€ 500.000,00  
VAT N. (IT):  
01537660480  
R.E.A: FI-275656

**TARGETTI**